

Commando Plus/Commando Pro Dimmable High Bays

Product Codes: **COM150-CCT, COM200-CCT, COMPRO200-40, COMPRO200-65**

Safety Warning



- The installation should be carried out by a qualified electrician in compliance with the current edition of the IEE Wiring Regulations.
- Prior to installation, carry out the necessary risk assessment considering the people who could be at risk, the level of risk and the precautions required to control the risk.
- Ensure that the circuit supply is isolated either by the circuit supply fuse being removed or the applicable circuit breaker being turned off before installation or any maintenance.
- Check the total load on the circuit ensuring the luminaire does not exceed the rating of the circuit cable, fuse or circuit breaker.
- Long-term use and voltage fluctuations can reduce the life span of the fitting.
- If the fitting incorporates control gear, ensure careful sizing to avoid instances of nuisance tripping of the protective device used in the installation.
- Follow the provided installation instructions, using the fixings supplied or recommended.
- Keep out of reach of children.

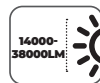
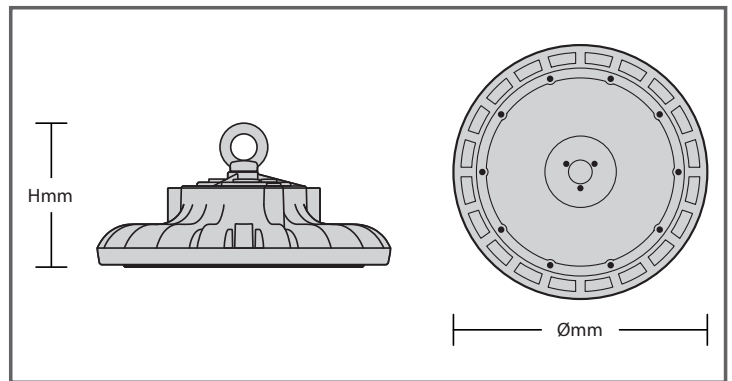


Specification

Box Contents -

1 x Commando Plus/Commando Pro Dimmable High Bay, 1 x Suspension Eyelet

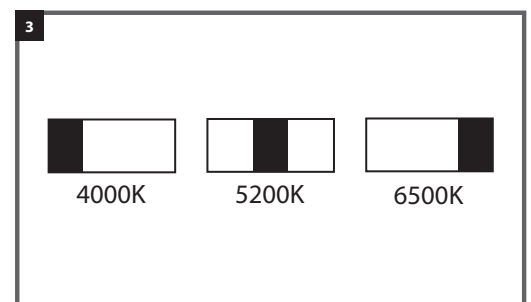
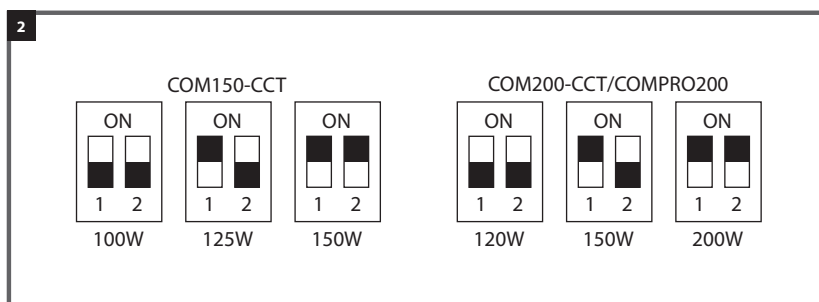
Dimensions:	COM150-CCT - Ø: 276 x H: 134mm COM200-CCT/COMPRO200 - Ø: 316 x H: 134mm
Material:	Body: Die-Cast Aluminium Lens: Polycarbonate
Working Temperature:	-40°C - 50°C
Included:	Suspension Eyelet



Installation Instructions

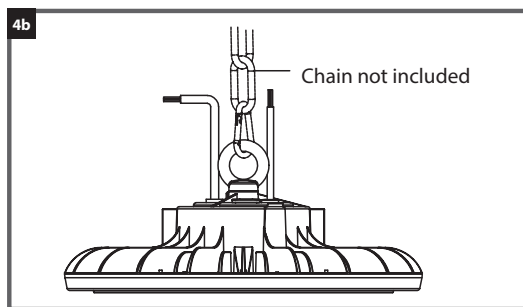
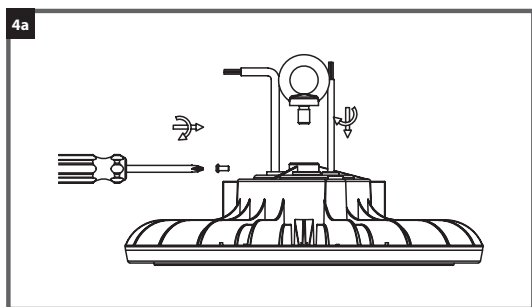
Note: This is a Class I Luminaire - Earth connection is required

- Isolate the mains supply before commencing the installation.
- Commando Plus & Commando Pro** – Power/Wattage Settings. Select the required wattage setting using the 2 dip switches on the top of the housing. Unscrew the cover cap using a flat blade screwdriver to access the dip switches. Set the dip switches into the configuration shown below and on the luminaire to achieve the required wattage. Note: the dip switches have a factory default setting of the maximum rated wattage of the selected luminaire. Replace cover cap after changing the settings.
- Commando Plus ONLY** – Colour Appearance (CCT) Settings. Select the required CCT setting using the dip switch on the top of the housing. Unscrew the large cover cap using a flat blade screwdriver to access the dip switch. Set the dip switch to the required position as shown below and on the luminaire to achieve the required CCT. Note: the dip switch has a factory default setting of 4000K. Replace cover cap after changing the settings.

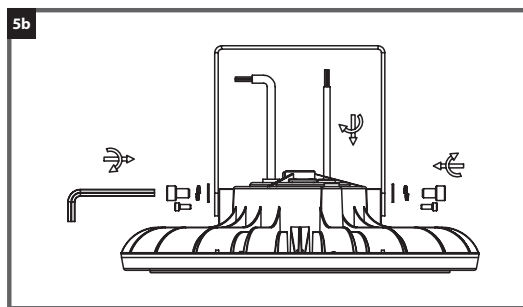
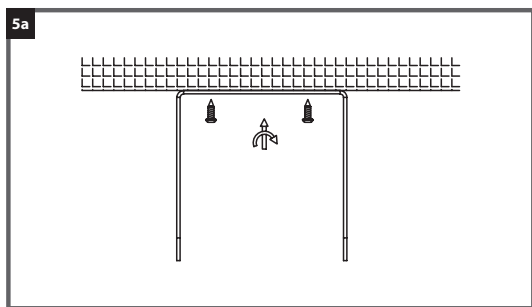


IMPORTANT NOTE: Do not change the settings of the Wattage and CCT dip switches after installation without first isolating the power supply. Using the switches when the luminaire is in a 'powered up' condition may damage the components and will void the warranty.

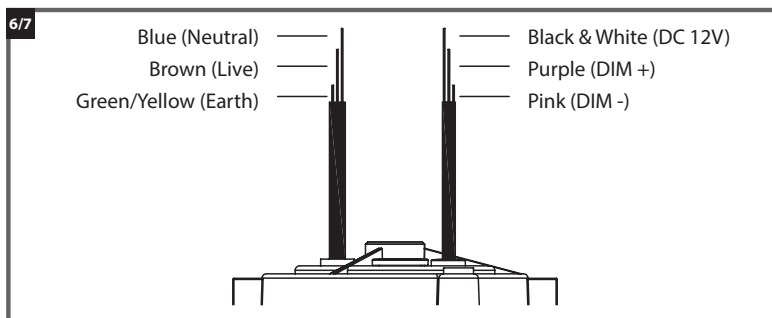
4. The high bay can be suspended using a chain/rod/wire suspension or Unistrut, or similar brackets (not supplied) that are suitably rated for the weight of the high bay. The fitting is supplied with a suspension eyelet. Fix the suspension eyelet to the housing, using the provided screw to lock it into position. This can then be attached to the chosen method of suspension.



5. Alternatively, an optional 'U' mounting bracket is available (Part Code: COM/MB, order separately). Fix the bracket to the ceiling/mounting surface using fixings (not supplied) that are suitably rated for the weight of the high bay. Then fix the high bay to the bracket using the fixings supplied with the bracket.



6. Using a suitable rated connector or junction box (not supplied), connect the AC power cables:
 Blue – Neutral
 Brown – Live
 Green/Yellow/Earth
7. If required, the high bay is also fitted with cables for use with separate external control devices. Using a suitable rated connector or junction box (not supplied), connect the control cables, firstly removing the isolating caps. (Please note, if the control cables are not required, the isolating caps must be left on the cables or terminated such that the cables do not touch each other or the high bay housing).
 Black/White – 12V DC Smart
 Purple – 0-10V DIM +
 Pink – 0-10V DIM –



8. Restore the mains power supply, switch on and test for satisfactory operation.

Plug-In Microwave Sensor Options

All Commando Plus and Commando Pro High Bays are designed as standard to accept a plug-in microwave sensor (Part Code: COM/MWS – order separately). This sensor offers automatic on/off switching of the luminaire in response to detecting movement, without the need for any separate, external controls.

To fit the microwave sensor:

- Isolate the high bay from the mains power supply
- Unscrew the cover cap on the face of the high bay using a flat blade screwdriver. This reveals the socket for the sensor.
- Insert the jack plug on the sensor into the socket and screw the sensor clockwise until firmly located in position, to ensure the IP65 seal is maintained.
- Restore the mains power supply.

The sensor can now be programmed using a hand held remote control (Part Code: COM/RC – order separately, min 1 remote per installation) to change the simple factory settings. Settings available are:

- Detection Area (Sensitivity)
- Hold Time (Time before sensor switches high bay off or goes to Standby dim level)
- Daylight Threshold (Light level, below which high bay will not switch on even if movement detected)
- Standby Dimming Level (Reduced light level that high bay dims to after last movement detection)
- Standby Period (Time period that high bay remains at Standby Dim Level if no movement is still detected)

For full details of the COM/RC and the settings are available online at redarrowelectrical.co.uk

Lens Beam Angle Options

All Commando Plus and Commando Pro High Bays are supplied fitted with a 110° beam angle lens as standard. For applications where a narrower beam angle is required, a 90° beam angle lens is available for retrofit. For full details contact Red Arrow Sales or visit redarrowelectrical.co.uk.

Optical Attachments

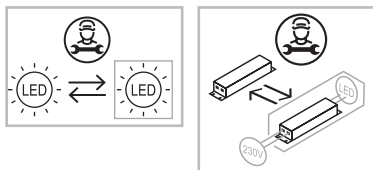
A range of aluminium reflector and polycarbonate refractor are available to fit all Commando Plus and Commando Pro High Bays. For full details contact Red Arrow Sales or visit redarrowelectrical.co.uk.

Guarantee

This product is guaranteed for a period of 5 years from the date of purchase. The guarantee is invalid in the case of improper use, tampering, removal of the Q.C. date label, installation in an improper working environment or installation not according to the current edition of the I.E.E. Wiring Regulations (BS7671). The guarantee is also invalidated if the luminaire has been insulation tested. Should this product fail during the guarantee period it will be replaced free of charge, subject to correct installation and return of the faulty unit. We do not accept responsibility for any installation costs associated with the replacement of this product. Your statutory rights are not affected. We reserve the right to alter specifications without prior notice.

Maintenance

- This fitting will require routine cleaning if used in adverse (dust, paint, welding, oils etc) environments. Do not use solvents, aggressive detergents or abrasives.
- The LEDs and driver in this product can be replaced at the end of life. This must be carried out by a professional, competent person. Contact Red Arrow for full details.



- When this fitting comes to the end of its life or you choose to replace it, please do not dispose of it with your normal waste. Please recycle where the facilities exist, check with your local authority for suitable options.

INS/INDUSTRIAL/0008/COM/V1