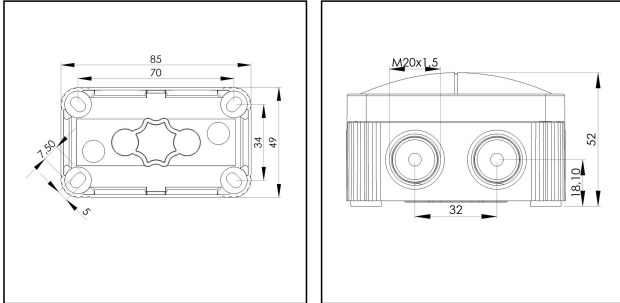



**COMBI® 206 BK / 3-221-413**



Product illustrations are exemplary and may differ from the chosen product. Further variants and individual customization, we will gladly provide you on request.

|                                     |   |
|-------------------------------------|---|
| <b>Material</b>                     | Polypropylene   |
| <b>Material sealing gasket</b>      | TPE   |
| <b>Temp. range min</b>              | -30 °C  |
| <b>Temp. range max</b>              | 100 °C  |
| <b>Temperatures during install.</b> | -5 °C - 60 °C   |
| <b>Protection class</b>             | IP66 / IP67   |
| <b>Glow wire test</b>               | 750 °C  |
| <b>Voltage</b>                      | 400 V   |
| <b>Rated cross section</b>          | 1,5 mm <sup>2</sup>   |
| <b>Terminals/poles</b>              | 4 mm <sup>2</sup>   |
| <b>Fixing</b>                       | 4 internal openings   |
| <b>Ø cable diameter min</b>         | 3 mm  |
| <b>Ø cable diameter max</b>         | 12 mm   |
| <b>External dimensions LxWxH</b>    | 85 x 49 x 51mm  |
| <b>Using for cable gland</b>        |  |
| <b>Product Color</b>                | RAL 9005  |
| <b>Order no. RAL 9005</b>           | 10109900  |
| <b>Type</b>                         | COMBI® 206 BK / 3-221-413   |
| <b>Packing unit</b>                 | 10  |
| <b>ETIM-Classification</b>          | EC002600  |

Remarks:

- Fixing: With mounting clip or 4 internal openings outside of the sealing area
- Equipment: 6 elastic self-sealing puncture-membranes for cable entry, and 2 in the bottom
- 6 integrated M20 thread for mounting without lock nut
- 4 captive cover screws

Your Contact:

**WISKA UK Ltd.**

Unit 7, Hurling Way · St. Columb Major Business Park · TR9 6SX, St. Columb Major, Cornwall · Great Britain

☎ +44-12-08816062 · 📠 +44-12-08816708

info@wiska.co.uk · www.wiska.co.uk

including terminal carrier on quick mounting plate mounted +  
3x WAGO 221-413 enclosed loose

## Spare parts

SP-KT-W 221/CSM-3x221-413

22001114

24.06.2019

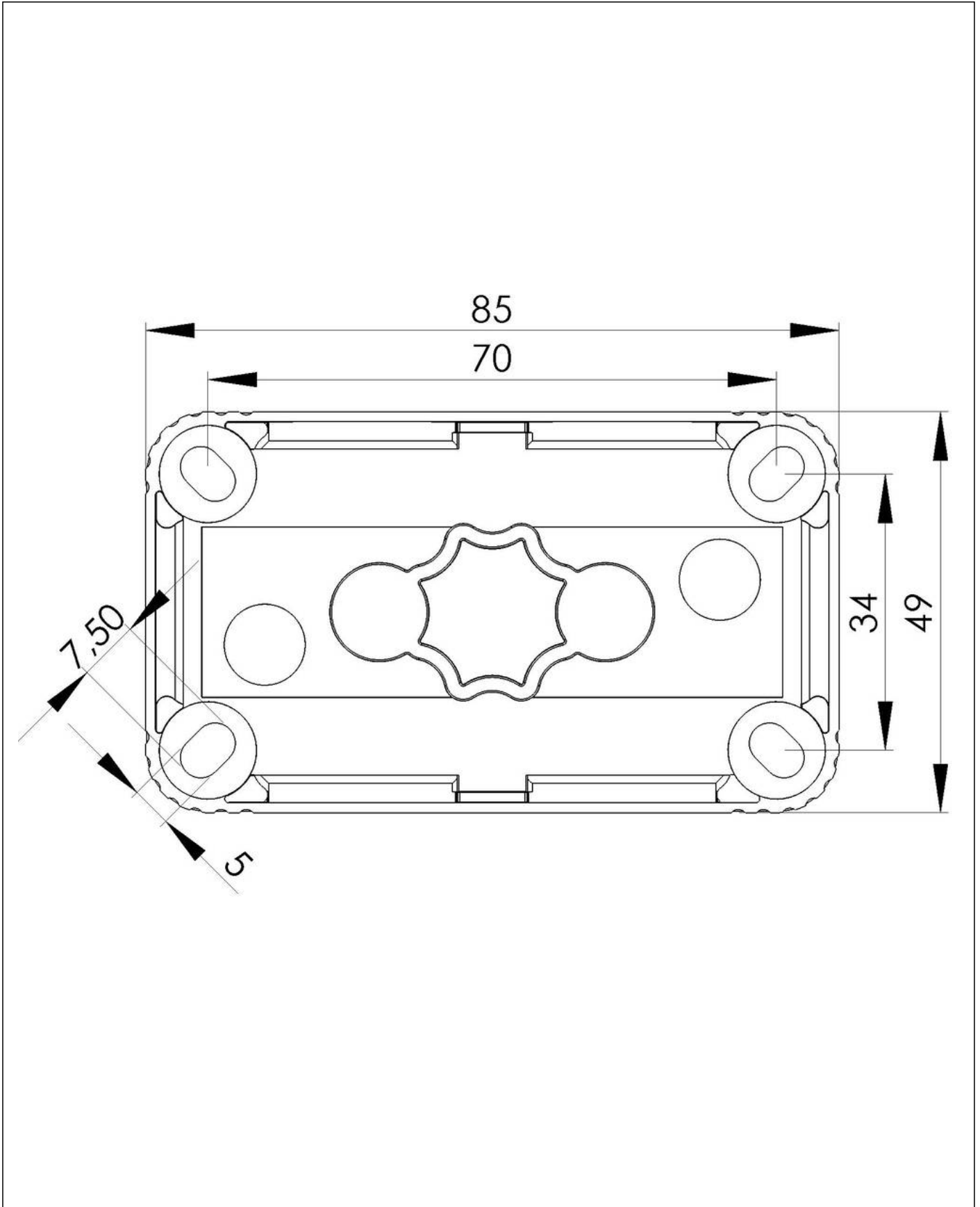
Your Contact:

**WISKA UK Ltd.**

Unit 7, Hurling Way · St. Columb Major Business Park · TR9 6SX, St. Columb Major, Cornwall · Great Britain

☎ +44-12-08816062 · 📠 +44-12-08816708

info@wiska.co.uk · www.wiska.co.uk



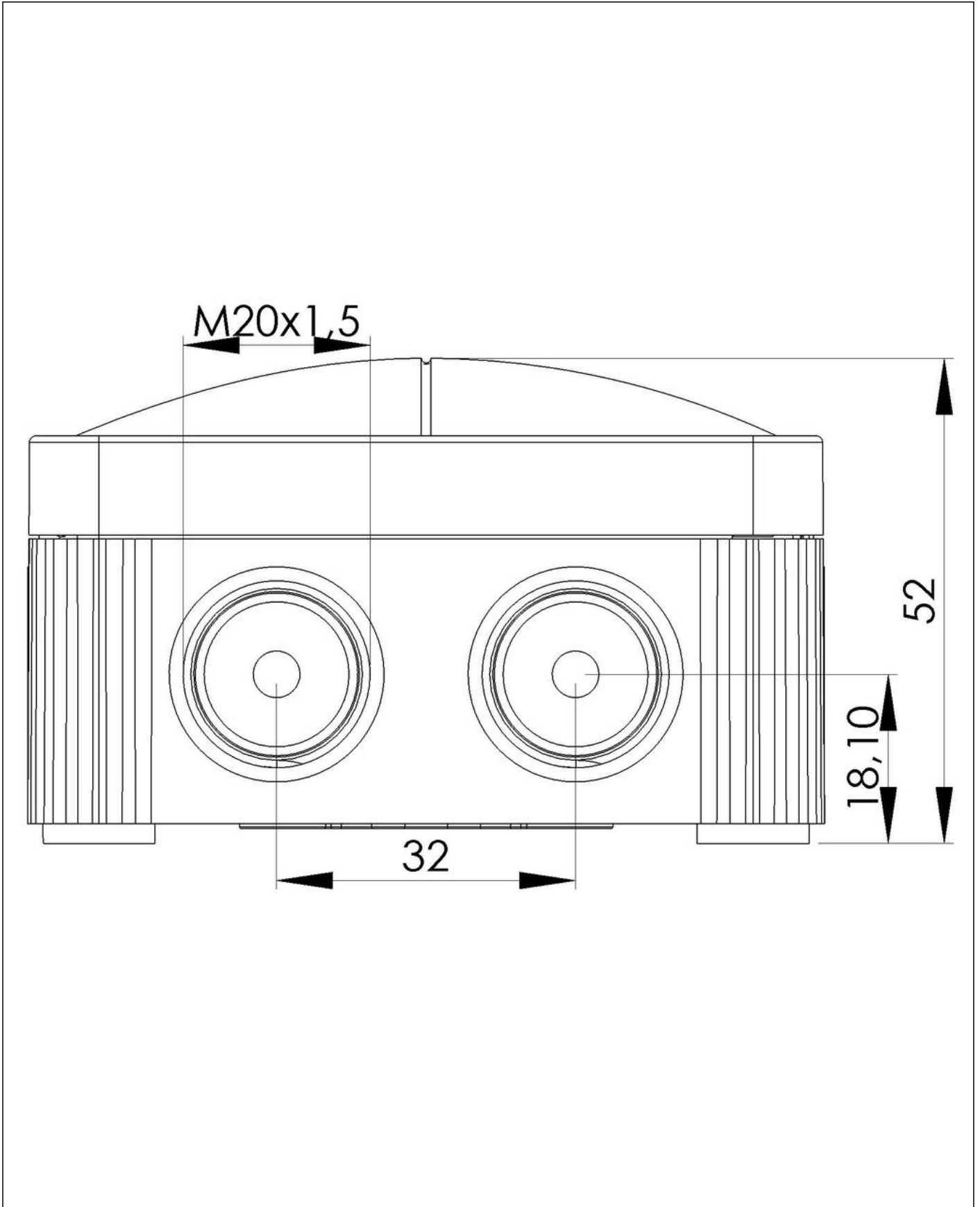
Your Contact:

**WISKA UK Ltd.**

Unit 7, Hurling Way · St. Columb Major Business Park · TR9 6SX, St. Columb Major, Cornwall · Great Britain

☎ +44-12-08816062 · 📠 +44-12-08816708

info@wiska.co.uk · www.wiska.co.uk



Your Contact:

**WISKA UK Ltd.**

Unit 7, Hurling Way · St. Columb Major Business Park · TR9 6SX, St. Columb Major, Cornwall · Great Britain

☎ +44-12-08816062 · 📠 +44-12-08816708

info@wiska.co.uk · www.wiska.co.uk