

# INSTALLATION INSTRUCTIONS

**Festoon Kits - 110V Multi-Head Festoons**  
 Product Codes: **FK2250W & FK50100W**

## Safety Warning



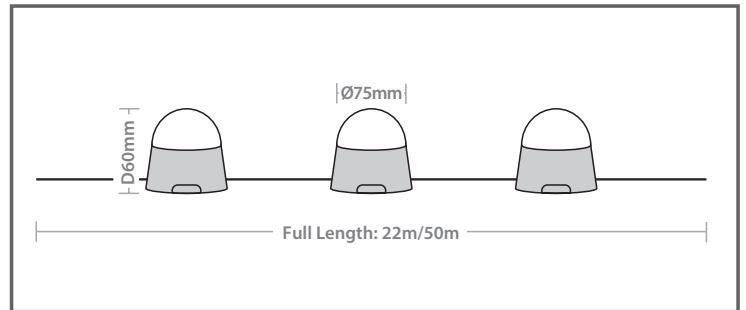
- The installation should be carried out by a qualified electrician in compliance with the current edition of the IEE Wiring Regulations.
- Prior to installation, carry out the necessary risk assessment considering the people who could be at risk, the level of risk and the precautions required to control the risk
- Ensure that the circuit supply is isolated either by the circuit supply fuse being removed or the applicable circuit breaker being turned off before installation or any maintenance.
- Check the total load on the circuit ensuring the luminaire does not exceed the rating of the circuit cable, fuse or circuit breaker.
- Long-term use and voltage fluctuations can reduce the life span of the fitting.
- If the fitting incorporates control gear, ensure careful sizing to avoid instances of nuisance tripping of the protective device used in the installation.
- Follow the provided installation instructions, using the fixings supplied or recommended.
- Keep out of reach of children.



## Specification

**Box Contents -**  
 1 x 110V Multi-Head Festoon Kit

<b>Dimensions:</b>	FK2250W: No. of Heads - 10, overall length - 22m FK50100W: No. of Heads - 20, overall length - 50m x Ø: 75mm x D: 60mm
<b>Material:</b>	Polycarbonate Heads
<b>Working Temperature:</b>	-20°C to 40°C
<b>Included:</b>	22m / 50m Cable + 110V Plug



## MAXIMUM FITTINGS PER CIRCUIT

Automatic Circuit Breaker Type:	B10	B13	B16	B20	C10	C13	C16	C20
<b>Rated Current:</b>	10A	13A	16A	20A	10A	13A	16A	20A
<b>Cable (mm):</b>	1.5	1.5	1.5	2.5	1.5	1.5	1.5	2.5
<b>FK2250W:</b>	10	16	20	24	14	20	28	34
<b>FK50100W:</b>	5	8	10	12	7	10	14	17

## Installation Instructions

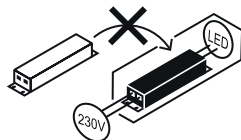
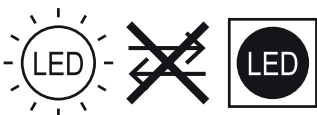
- This fitting is for use with 110V supply only.
- The Festoon Kit should be positioned in a way that it does not cause an obstruction to personnel or machinery.
- Do not connect the Festoon Kit to any power source until it is fully fitted into position.
- The first LED module should be positioned to provide adequate cable length to the supply point, and should be suitably secured by strapping or similar restraint.
- Where practical, it is recommended that a cable tie is used on each side of the module.
- Connecting the fitting to the power supply must be done with care.
- Ensure no personnel are in contact with the Festoon Kit when you switch it on. Immediately check each LED module to ensure that no danger is present.
- Protect the power cord from any contact with sharp objects, chemicals or hot surfaces.
- Do not remove the plug from the mains supply by pulling on the power cord.
- Do not switch the Festoon Kit on when it is coiled.

## Guarantee

This product is guaranteed for a period of 2 years from the date of purchase. The guarantee is invalid in the case of improper use, tampering, removal of the Q.C. date label, installation in an improper working environment or installation not according to the current edition of the I.E.E. Wiring Regulations (BS7671). The guarantee is also invalidated if the luminaire has been insulation tested. Should this product fail during the guarantee period it will be replaced free of charge, subject to correct installation and return of the faulty unit. We do not accept responsibility for any installation costs associated with the replacement of this product. Your statutory rights are not affected. We reserve the right to alter specifications without prior notice.

## Maintenance

- This fitting will require routine cleaning if used in adverse (dust, paint, welding, oils etc) environments. Do not use solvents, aggressive detergents or abrasives.
- The light source & driver in this luminaire are not replaceable. When either reaches its end of life, the whole luminaire shall need to be replaced.



- When this fitting comes to the end of its life or you choose to replace it, please do not dispose of it with your normal waste. Please recycle where the facilities exist, check with your local authority for suitable options.

INS/SITE/0003/FK/V2