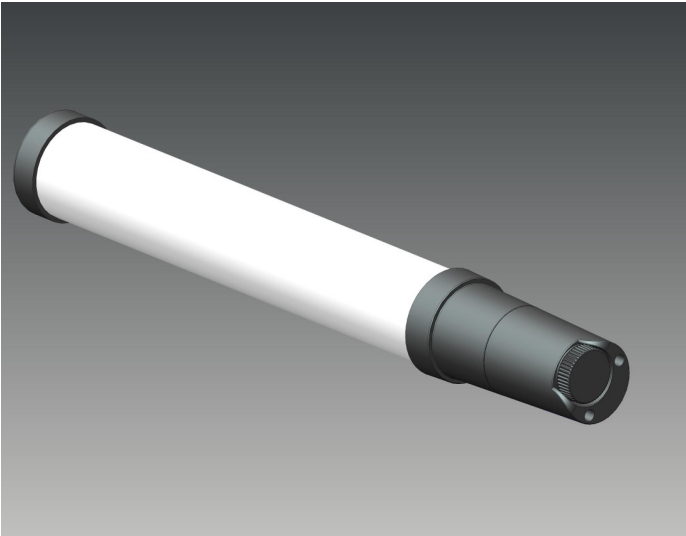


Thermostatic Tubular Heaters



Product Description

Low output, adjustable heat source suitable for a huge range of applications, from airing cupboards to shop windows and greenhouses.

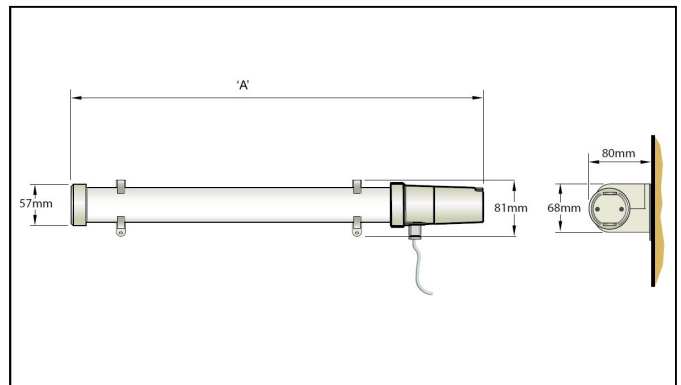
Key Features

- Full range of 6 sizes/outputs
- Discreet mounting brackets for walls or floors
- Reversible left or right hand cable entry
- IPX4 rated
- Even heat distribution across heater body

Technical Details

Power Controls	Adjustable thermostat allowing frost protection and output selection
Thermostat Controls	Rotary control
Cable	1.5m fitted with plug
Thermostat	Bimetallic
Thermal Cut out	Automatic reset
Element	Coiled type
Colour/ Finish	White / grey
IP Rating	IPX4
Approvals	CE
Warranty	1 year

Dimensions



Model No.	Loading W	Height mm	Length mm (A)	Depth mm	Weight kg
SHTTH1	40	81	408	80	0.5
SHTTH2	80	81	713	80	0.6
SHTTH3	120	81	1018	80	.8
SHTTH4	160	81	1323	80	1
SHTTH5	200	81	1630	80	1.1
SHTTH6	240	81	1933	80	1.3

Packaging Details

Model No.	Length mm	Height mm	Depth mm	Barcode
SHTTH1	515	90	65	5011139052063
SHTTH2	820	90	65	5011139052070
SHTTH3	1125	90	65	5011139052087
SHTTH4	1430	90	65	5011139052094
SHTTH5	1735	90	69	5011139052100
SHTTH6	2030	94	69	5011139052117

Additional Information

The maximum surface temperature of these units is 85 degrees celsius rise over ambient.