

It is the responsibility of the person installing the electrical equipment to ensure that the installation meets the requirements of the IET wiring regulations and is therefore 'fit for purpose'. Factors such as correct selection of components, cable sizing, protective devices and Earth bonding are all critical and should be checked prior to full testing and power-up. Any other regulations applicable to the equipment being installed such as the Machinery Directive and current health and safety legislation must also be adhered to.

All connections (including factory made) must be checked for the correct tightness prior to commissioning of the electrical installation. All connections should be inspected periodically to ensure correct tightness.

DO NOT USE POWER TOOLS ON THESE PRODUCTS

Europa Helpline: email: technical@europacomponents.com / tel: 01582 692 444

Europa House, Airport Way, Luton, Beds, LU2 9NH Tel: 01582 692 440

e-mail: sales@europacomponents.com website: www.europacomponents.com

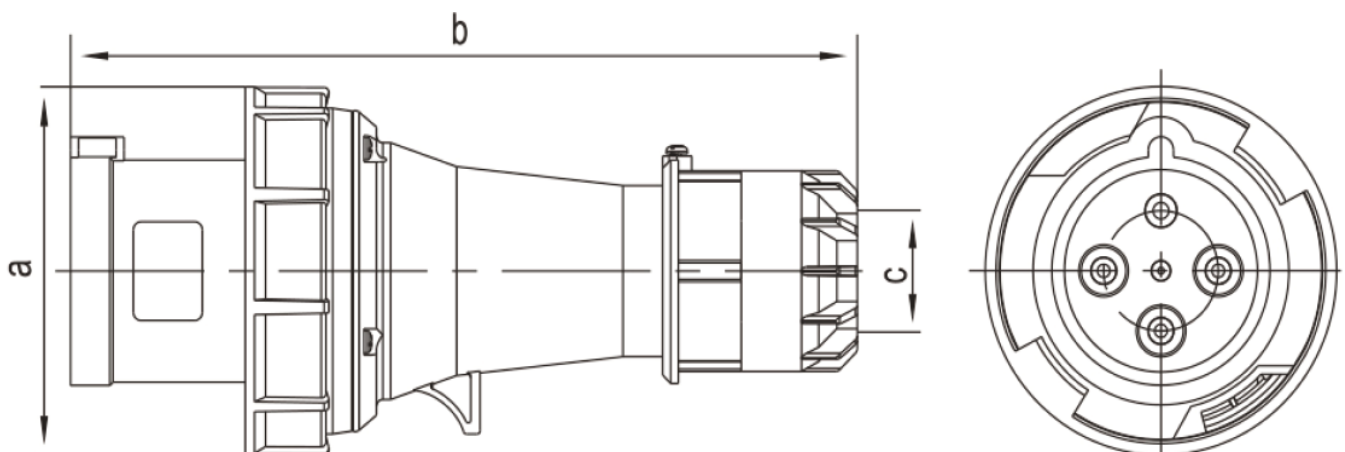


IP67 125A Weather Proof In-Line Industrial Plug | 125A 415V 3P + E

IPW1254N

Description

- **Conforms to European/ International Standards EN/IEC 60309-2.**
- **IP67 rated weatherproof in-line industrial plug.**
- **Operating temperature between -25 °C to +40 °C.**



Amps	Colour & Voltage	Poles	Protection Degree	a (mm)	b (mm)	c (mm)	Terminal Capacity	Recommended Terminal Torque
125A	Red 415V	3P + E	IP67	126	276	47	16-50 mm ²	3.0 Nm