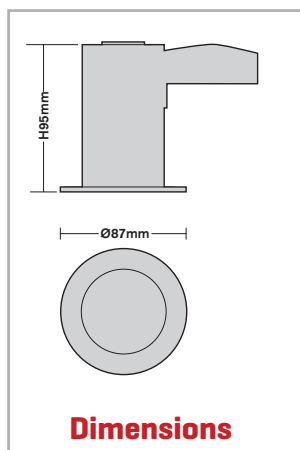




IGNIS STEEL GU10 TILT FIRE RATED DOWNLIGHTS



CODE	DESCRIPTION	LAMP (NOT INCLUDED)	DIMENSIONS (H X Ø MM)	CUT OUT (MM)	WEIGHT (KG)
IGS/TB	Ignis Fire Rated Downlight Steel GU10 Tilt Brass	GU10 LED	95 x 87	75	0.26
IGS/TC	Ignis Fire Rated Downlight Steel GU10 Tilt Chrome	GU10 LED	95 x 87	75	0.26
IGS/TSC	Ignis Fire Rated Downlight Steel GU10 Tilt Satin Chrome	GU10 LED	95 x 87	75	0.26
IGS/TW	Ignis Fire Rated Downlight Steel GU10 Tilt White	GU10 LED	95 x 87	75	0.26

Description

Ignis is a Fire Rated range of high quality steel downlights with a tilt bezel. Available in a variety of finishes and includes a fast fit terminal block with heavy duty loop in/loop out lever type connectors.

Key Features

- Material Pressed Steel
- Tilt bezel
- Tilt Angle: 20°
- Fast fit terminal block with heavy duty loop in/loop out lever type connectors
- Fire-rated for 30, 60 & 90 minutes to BS 476:20:1987 & BS 476:21:1987
- Acoustic rating: ISO 10140-2:2010
- Steel ceiling fixing springs included
- Steel lamp retention springs included
- Recommended for use with Red Arrow GU10 LED Lamps



SPEC/DOWNLIGHTS/0006/IGS/TW2