

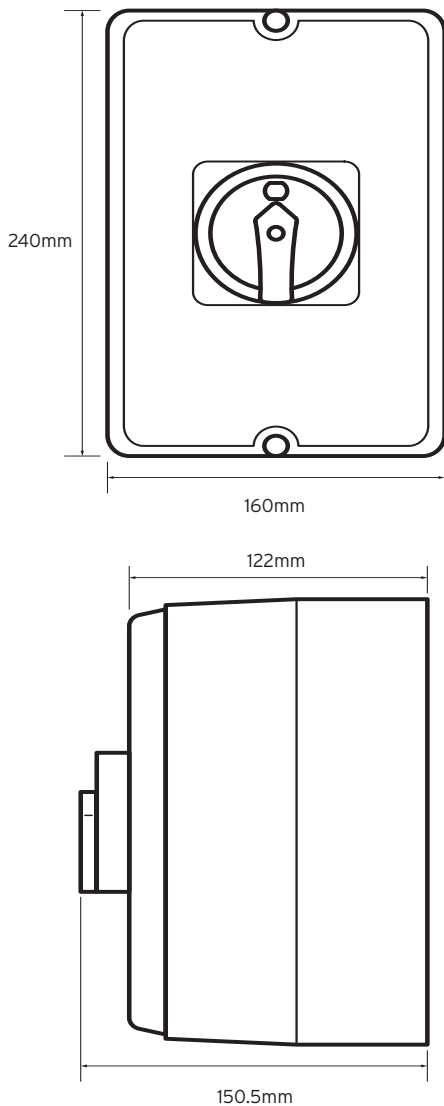


niGLON

Industrial Accessories

IS804 Insulated Rotary Isolator

Technical Drawing



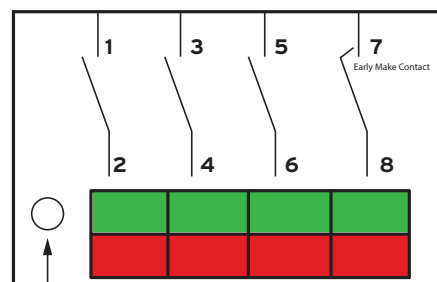
Technical Specifications

Standards	EN60947-3
Rated Current	80A
No. of Poles	4
Rated Insulation Voltage(V)	690V
Rated Operating Current(A)	80
AC-22A	80
AC-23A	80
AC-3	63
Rated Voltage(Ue)	440V
Rated Power Control(KW)	30
Rated short-time withstand current(Icw)	2000A
Connect Wire	25mm ²
Screw Torque	2 N.m

Enclosure Characteristics

Overall Dimensions HxWxD	240x160x122mm
Depth with switch	150.5mm
Degree of IP	IP65
Colour	Upper cover RAL9002, Bottom case RAL 7031

Wiring Diagram



Note 7 = Early Make Contact