

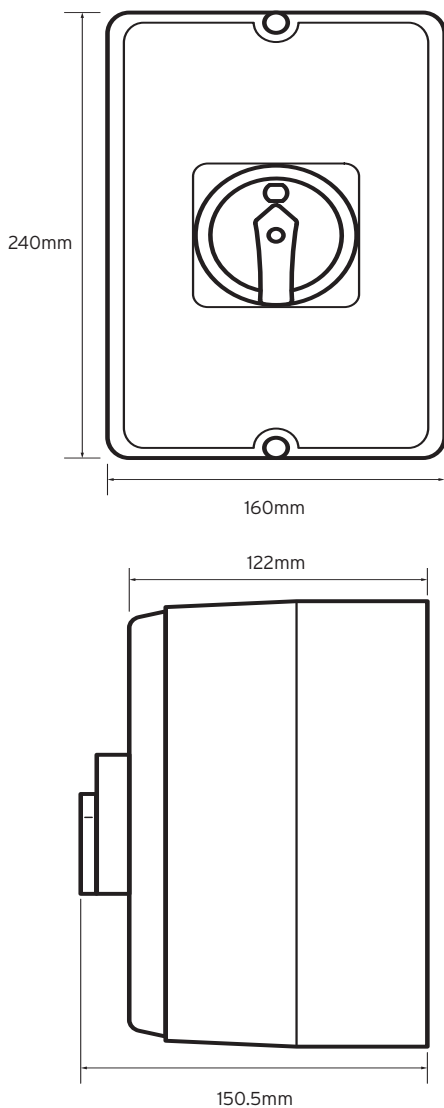


niGLON

Industrial Accessories

IS1254P Insulated Rotary Isolator

Technical Drawing



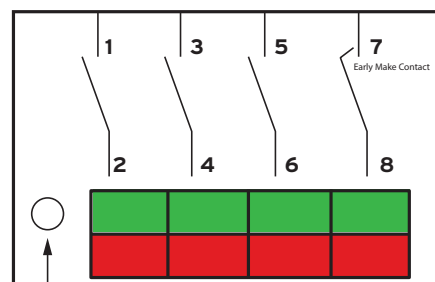
Technical Specifications

Standards	EN60947-3
Rated Current	125A
No.of Poles	4
Rated Insulation Voltage(V)	690V
Rated Operating Current(A)	125
AC-22A	125
AC-23A	125
AC-3	100
Rated Voltage(Ue)	440V
Rated Power Control(KW)	45
Rated short-time withstand current(Icw)	3000A
Connect Wire	50mm ²
Screw Torque	2.5 N.m

Enclosure Characteristics

Overall Dimensions HxWxD	240x160x122mm
Depth with switch	150.5mm
Degree of IP	IP65
Colour	Upper cover RAL9002, Bottom case RAL 7031

Wiring Diagram



Note 7 = Early Make Contact